



www.osee-dig.com
www.oseeamericas.com



FRM-173

FRM-173 is a 17", 1RU high, pull-out rackmount monitor with the resolution of 1920×1080 and can be housed in a 19" rack. It features 2ch 3G-SDI signal display, multi-format input including 3G-SDI, HDMI and YPbPr. FRM-173 is an integration of the LCD panel and a foldable frame to cater any applications where space is constrained and it is particularly designed for fly-case, ENG and etc.



Full HD 1920×1080 resolution

Dual-screen display (2ch 3G-SDI display simultaneously)

Support five color temperatures(D93/D65/D56/D50/D32)

Waveform/vector display

16ch audio level meter display

TC code, closed caption(analog signal) display

Tri-color tally light display

Signal Format

SIGNAL FORMAT	SDI	VIDEO	YPBPR	HDMI
PAL		○		
NTSC		○		
480I60/59.94	○		○	○
576I50	○		○	○
480P60/59.94			○	○
576P50			○	○
720P24/23.97	○		○	○
720P25	○		○	○
720P30/29.97	○		○	○
720P50	○		○	○
720P60/59.94	○		○	○
1080SF24/23.97	○		○	○
1035I60/59.94	○		○	○
1080I50	○		○	○
1080I60/59.94	○		○	○
1080P24/23.97	○		○	○
1080P25	○		○	○
1080P30/29.97	○		○	○
1080P50	○		○	○
1080P60/59.94	○		○	○
VGA(640X480)				○
SVGA(800X600)				○
XGA(1024X768)				○
SXGA(1280X1024)				○
WXGA+(1440X900)				○
WXGA+(1400X1050)				○
UXGA(1600X1200)				○
UXGA+(1680X1050)				○
WUXGA(1920X1080)				○
WUXGA(1920X1200)				○

Specifications

FRM-173		
Panel	17.3" TFT LCD	
Resolution	1920×1080	
Viewing Angle	160°(H)×140°(V)	
Brightness	300cd/m ²	
Contrast Ratio	600:1	
Backlight	White LED	
Speaker	1.0W×2	
Conditions	Operation Temperature	0°C -40°C (32°F -104°F)
	Storage Temperature	-20°C -60°C (-4°F-140°F)
Dimensions	540×490×44 (mm) 21.3×19.3×1.7 (inch)	
Weight	8.0Kg (17.6lbs)	

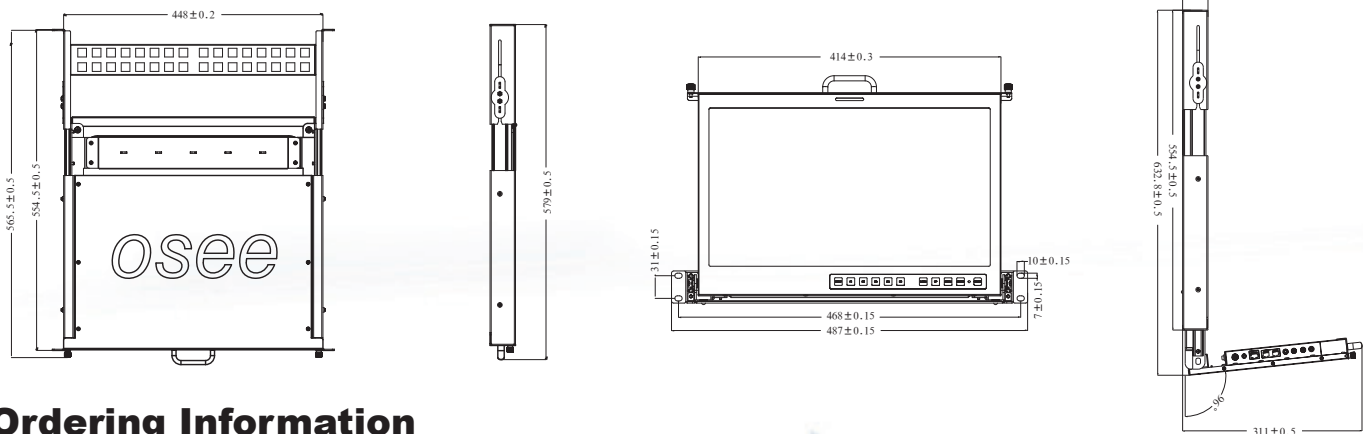
Specifications are subject to change without notice.

Input/Output Port

Video	3G/HD/SD-SDI	Input: BNC×2, Output: BNC×1(Active loop through out)
	Composite	Input: BNC×2, Output: BNC×2(Active loop through out,auto terminal)
	YPbPr	Input: BNC×3, Output: BNC×3(Active loop through out,auto terminal)
	HDMI	Input: HDMI Type-A×1
Audio	AUDIO IN1	Analog Audio input RCA×2
	AUDIO IN2	Analog Audio input RCA×2
	Headphone	Mini Jack×1
External Control	GPI	RJ-45×1
	RS-485	RJ-45×2 (IN/OUT)
	Ethernet	RJ-45×1

Specifications are subject to change without notice.

Dimensions



Ordering Information

FRM-173-3HSV	LCD Monitor supports 3G/HD/SD-SDI/analog composite signal
FRM-173-HSV	LCD Monitor supports HD/SD-SDI/analog composite signal
FRM-173-SV	LCD Monitor supports SD-SDI/analog composite signal

OSEE TECHNOLOGY CO., LTD.

Add: No.22 Building, No.68 Zone, Beiqing Road, Haidian District, Beijing 100094 China
TeI: +8610 6243 4168-8017 **Fax:** +8610 6243 4169
E-mail: sales@osee-dig.com

OSEE AMERICAS LTD.

Add: 43218 Christy St Fremont, CA 94538
TeI: +1 510 996 4499 **E-mail:** info@oseeamerica.com
Toll Free: 866 625 6106 **Online Mall:** www.oseedirect.com