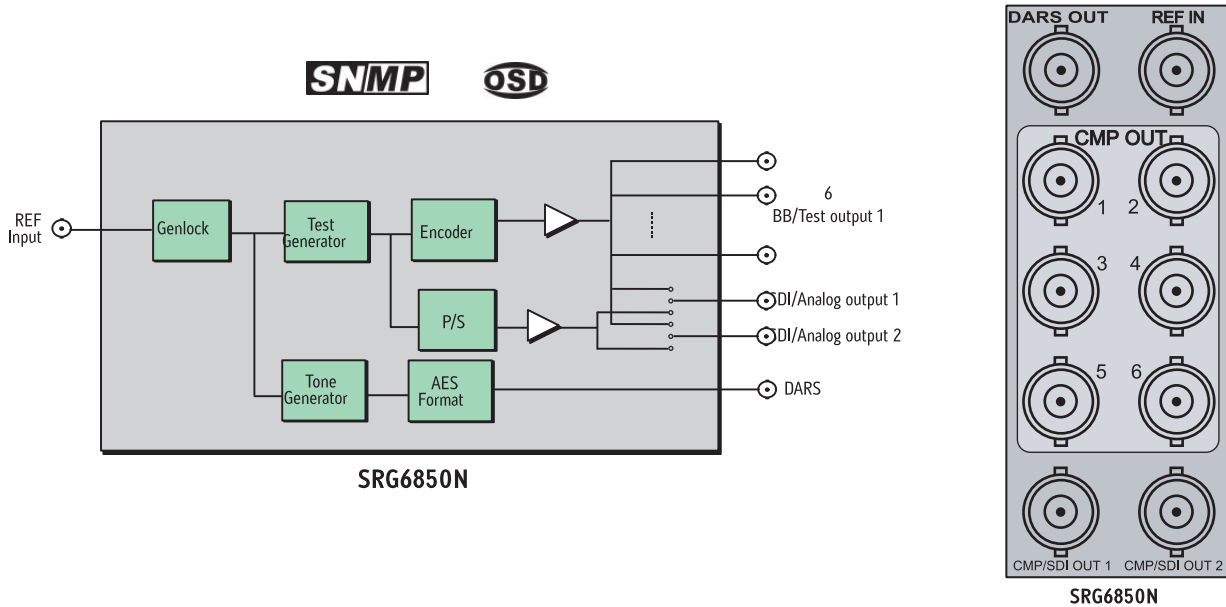


# SRG6850N

## Analog and SDI Black Burst/DARS Generator

The SRG6850N is an analog and SDI black burst/DARS generator. It has up to 8ch of analog black burst outputs, up to 2ch of SDI black burst outputs with 24 bits embedded audio and DARS output with selectable tones. The SRG6850N can generate high stable black burst with its internal temperature-compensation crystal oscillator black field signal.



### Features

- High stable analog and SDI black field signal
- DARS output
- Support embedded audio
- Adjustable phasing
- Color Bar generating
- Support reference signal

### Specifications

#### Analog Composite Output

Analog Composite Output: NTSC, PAL-B  
 Output Number: 8  
 Impedance: 75 ohm  
 Connector: BNC(IEC 169-8)  
 Return Loss: >40dB to 5.75 MHz  
 Quantization: 12 bits  
 DC Offset : +/- 5mV

#### SDI Black Field Output

Output: 2(selectable)  
 Resolution: 10-bit  
 Standard: SMPTE: 259M-C; 270Mb/s, 525/625 Component  
 Connector: BNC(IEC 169-8)  
 Impedance: 75 ohm  
 Return Loss: >18dB to 270 M  
 Signal Amplitude: 800 mV+/- 10%  
 DC Offset: 0 V +/- 0.5 V  
 Rise and Fall Time: 400-700pS (20 to 80% of amplitude)  
 Overshoot: <10% of amplitude (all outputs terminated)

#### Reference Input

Standard: Analog color bar or analog black burst  
 Connector: BNC(IEC 169-8)  
 Impedance: 75 ohm

#### DARS Output

Output: 1 Silence or Tone  
 Connector: BNC(IEC 169-8)  
 Tone Frequency: 500Hz or 1KHz selectable,  
 left/right channel set independently  
 Tone Level: Within 0-31dBFS, 1dB increment

#### Phasing

Range Infinite: 1 frame  
 Resolution: 0.5ns

#### Master Crystal Stability

Initial: 2 PPM  
 vs. Time: 2 PPM/Year  
 vs. Temperature: 2 PPM, 0°C to +50°C

#### Power Consumption

Power: 2.4W  
 Positive Rail: 330 mA  
 Negative Rail: 35mA

*\*Specifications are subject to change without notice.*

### Ordering Information

#### SRG6850N

Analog and SDI black burst/DARS generator